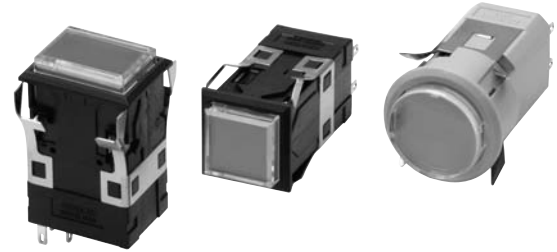


# Indicator (Square) Ultra Bright LED Type M2P


## Large Square-bodied Indicators. New models added with Ultra LEDs.

- New models with ultra bright LEDs added to single-screen models.
- Previous models not changed.

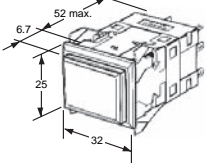
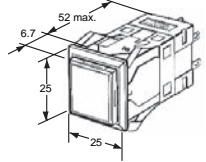
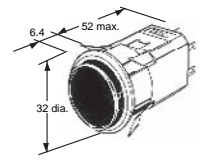
Line up of models in seven colors (the previous red, orange, green, and white models, and the new yellow, blue, and pure white models).



**NEW**

 Refer to *Safety Precautions for All Pushbutton Switches/Indicators* and *Safety Precautions* in the A3P datasheet.

## List of Models

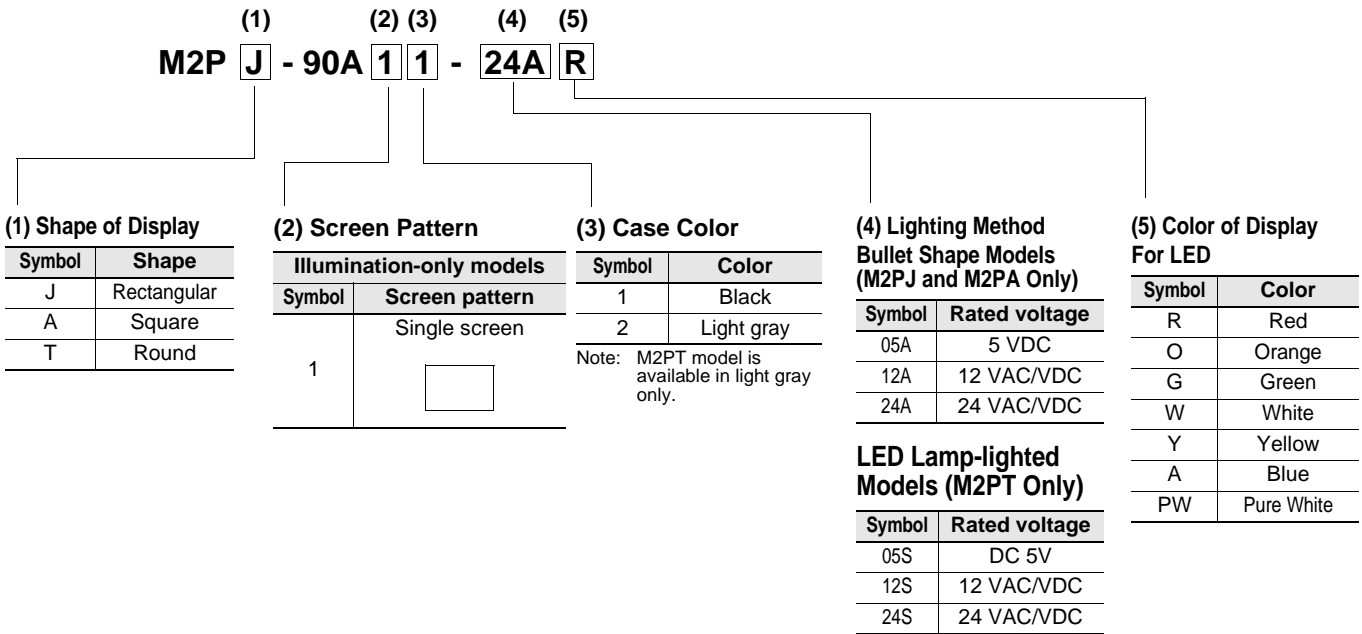
Model	Appearance
M2PJ (Rectangular)	
M2PA (Square)	
M2PT (Round)	

# M2P

## Model Number Structure

**Model Number Legend** ..... The model numbers used to order sets of Units are illustrated below. One set comprises the Display, Lamp, and Socket.

For information on combinations, refer to *Ordering Information* on page 3.

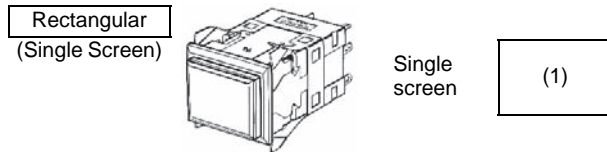


Color of screen	Symbol Color	R	Y	G	W	O	A	PW
		Red	Yellow	Green	White	Orange	Blue	Pure White
<b>Color of plate</b>		Red	Yellow	Green	White	Orange	Blue	White
<b>LED</b>		Red	Pure White	Green	Amber	Orange	Blue	Pure White

## Ordering Information

**Ordering as a Set** ..... The model numbers used to order sets of Units are given in the following tables. One set comprises the Display, Lamp, and Socket.

### M2PJ (Rectangular) Single-screen Models



Case color		Black	Light gray
Lighting method	5 VDC	<b>M2PJ-90A11-05A(1)</b>	<b>M2PJ-90A12-05A(1)</b>
	12 VAC/DC	<b>M2PJ-90A11-12A(1)</b>	<b>M2PJ-90A12-12A(1)</b>
	24 VAC/DC	<b>M2PJ-90A11-24A(1)</b>	<b>M2PJ-90A12-24A(1)</b>

Note: Enter the desired color symbol for the Pushbutton in (1). (R) = Red, (O) = Orange, (G) = Green, (W) = White, (Y) = Yellow, (A) = Blue, (PW) = Pure White.

Example: Red M2PJ-90A11-24AR

### M2PA (Square) Single-screen Models



Case color		Black	Light gray
Lighting method	5 VDC	<b>M2PA-90A11-05A(1)</b>	<b>M2PA-90A12-05A(1)</b>
	12 VAC/DC	<b>M2PA-90A11-12A(1)</b>	<b>M2PA-90A12-12A(1)</b>
	24 VAC/DC	<b>M2PA-90A11-24A(1)</b>	<b>M2PA-90A12-24A(1)</b>

Note: Enter the desired color symbol for the Pushbutton in (1). (R) = Red, (O) = Orange, (G) = Green, (W) = White, (Y) = Yellow, (A) = Blue, (PW) = Pure White.

Example: Red M2PA-90A11-24AR

### M2PT (Round) Single-screen Models



Case color		Light gray	Lamp holder color symbol
LED lamp	5 VDC	<b>M2PT-90A12-05S(1)</b>	R, O, G, W, Y, A, or PW
	12 VAC/DC	<b>M2PT-90A12-12S(1)</b>	
	24 VAC/DC	<b>M2PT-90A12-24S(1)</b>	

Note: Enter the desired color symbol for the Pushbutton in (1). (R) = Red, (O) = Orange, (G) = Green, (W) = White, (Y) = Yellow, (A) = Blue, (PW) = Pure White.

Example: Red M2PT-90A12-24SR

## Accessories, Parts, and Tools

The accessories, parts, and tools are the same as those for the A3P Lighted Pushbutton Switches. Refer to the A3P datasheet.

# M2P

## Specifications

### LED and Incandescent Lamp Ratings and Characteristics

Ratings and characteristics are the same as those for the A3P Lighted Pushbutton Switches. Refer to the A3P datasheet.

### Approved Standard Ratings

UL (File No. E41515), CSA (File No. LR45258)

LED: 24 VDC max.




Incandescent lamp: 28 VAC/VDC, 1.2 W max.

**Note:** Certification has been obtained for the Indicator.

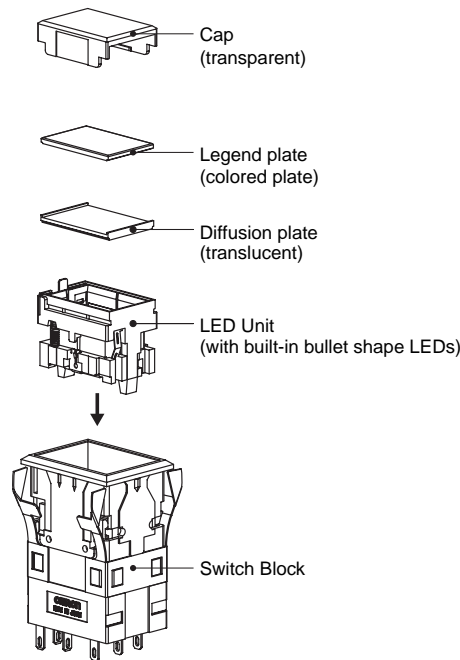
For detailed information on individual products that have received certification, consult your supplier.

## Nomenclature

### Model Structure

Lighting method	Bullet Shape LED Models (LED is built-in.)		LED lamp-lighted models (LED is not built-in.)
	M2PJ	M2PA	M2PT
Models			
Screen pattern	Single screen 	Single screen 	Single screen 

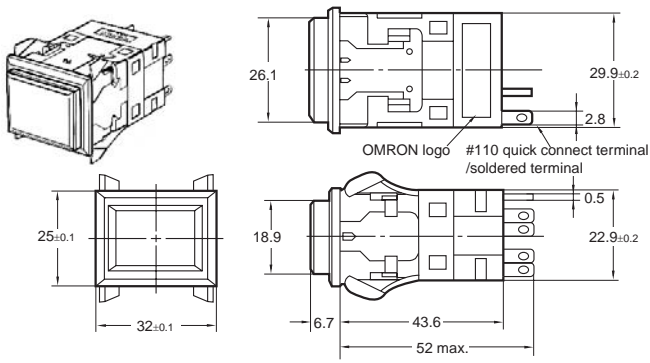
Example: M2PJ with Bullet Shape LED Lighting



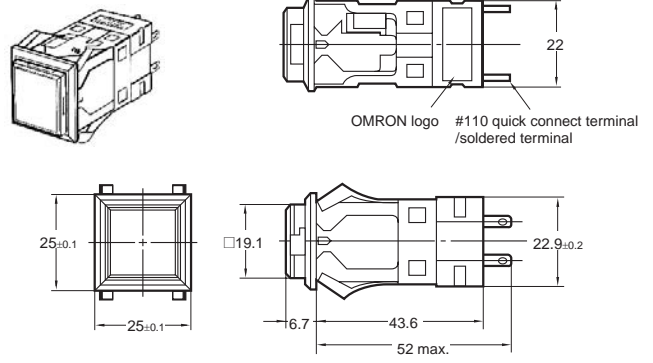
Dimensions

(Unit: mm)

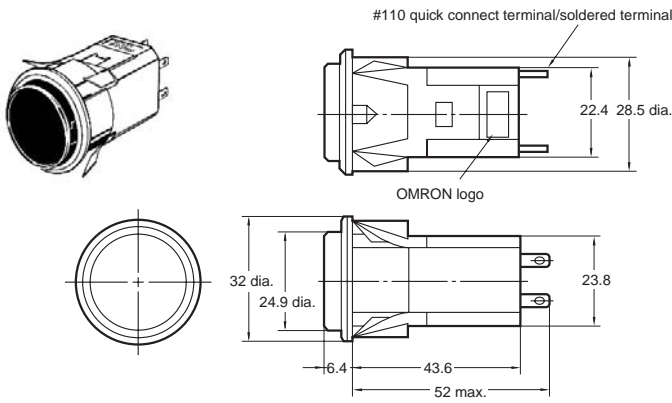
M2PJ (Rectangular) Models



M2PA (Square) Models



M2PT (Round) Models



Note: Use a panel thickness of 0.5 mm for tab terminals #110 and solder terminals.

Terminal Connections

Bullet Shape LED Models

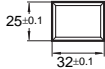
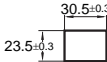
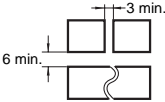
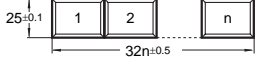

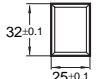
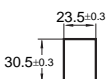

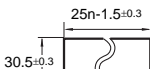

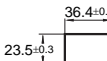
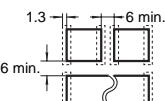
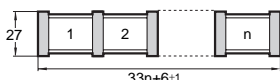
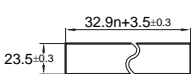
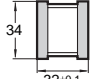
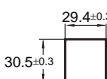
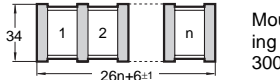
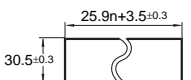
Model	Rated voltage Screen pattern	5 VDC		12 VDC		24 VDC	
		Bottom view	Top view	Bottom view	Top view	Bottom view	Top view
M2PJ	Single screen						
M2PA	Single screen						

LED Lamp-lighted Models

Type	Model	Round M2PT models
Indicator		<p>Terminal arrangement      Lighting block</p>

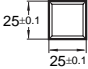
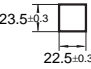
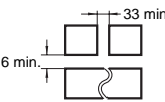
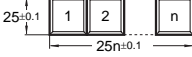
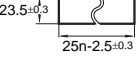
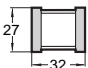
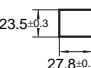
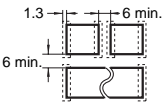
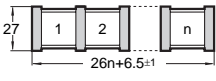
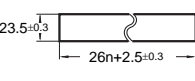
Panel Cutout

M2PJ (Rectangular) Models

Classification	Mounting design	Panel cutout	Remarks	
Flange mount models	Individual mounting (Horizontal)			Panel cutout spacing between rows of Units: 
	Multiple mounting (Horizontal)			
	Individual mounting (Vertical)		Mount to long mounting plate (A3PJ-3002) before use. 	
	Multiple mounting (Vertical)		Mount to long mounting plate (A3PJ-3002) before use. 	
Barrier mount models	Individual mounting (Horizontal)			For barrier mount models, refer to Accessories in the A3P datasheet. Panel cutout spacing between rows of Units: Dotted line indicates the position of each mounting barrier. 
	Multiple mounting (Horizontal)			
	Individual mounting (Vertical)		Mount to long mounting plate (A3PJ-3002) before use. 	
	Multiple mounting (Vertical)		Mount to long mounting plate (A3PJ-3002) before use. 	

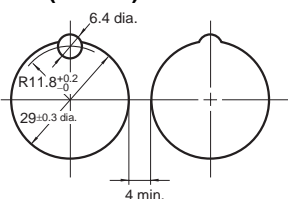
- Note:**
1. n: Number of Units
  2. Recommended panel thickness: 1 to 5 mm
  3. Mount the panel before mounting the Switch Guard.
  4. If the panel is to be finished (e.g., coated), make sure that the panel meets the specified dimensions after the coating.

M2PA (Square) Models

Classification	Mounting design	Panel cutout	Remarks	
Flange mount models	Individual mounting			Panel cutout spacing between rows of Units: 
	Multiple mounting			
Barrier mount models	Individual mounting			Panel cutout spacing between rows of Units: Dotted line indicates the position of each mounting barrier. 
	Multiple mounting			

- Note:**
1. n: Number of Units
  2. Recommended panel thickness: 1 to 5 mm
  3. If the panel is to be finished (e.g., coated), make sure that the panel meets the specified dimensions after the coating.

M2PT (Round) Models



- Note:**
1. Recommended panel thickness: 1 to 5 mm
  2. If the panel is to be finished (e.g., coated), make sure that the panel meets the specified dimensions after the coating

Safety Precautions

Refer to **Safety Precautions for all Pushbutton Switches/Indicators** for common precautions.  
Read the **Safety Precautions** in the A3P datasheet.

# Terms and Conditions Agreement

## **Read and understand this catalog.**

Please read and understand this catalog before purchasing the products. Please consult your OMRON representative if you have any questions or comments.

## **Warranties.**

- (a) Exclusive Warranty. Omron's exclusive warranty is that the Products will be free from defects in materials and workmanship for a period of twelve months from the date of sale by Omron (or such other period expressed in writing by Omron). Omron disclaims all other warranties, express or implied.
- (b) Limitations. OMRON MAKES NO WARRANTY OR REPRESENTATION, EXPRESS OR IMPLIED, ABOUT NON-INFRINGEMENT, MERCHANTABILITY OR FITNESS FOR A PARTICULAR PURPOSE OF THE PRODUCTS. BUYER ACKNOWLEDGES THAT IT ALONE HAS DETERMINED THAT THE PRODUCTS WILL SUITABLY MEET THE REQUIREMENTS OF THEIR INTENDED USE.

Omron further disclaims all warranties and responsibility of any type for claims or expenses based on infringement by the Products or otherwise of any intellectual property right. (c) Buyer Remedy. Omron's sole obligation hereunder shall be, at Omron's election, to (i) replace (in the form originally shipped with Buyer responsible for labor charges for removal or replacement thereof) the non-complying Product, (ii) repair the non-complying Product, or (iii) repay or credit Buyer an amount equal to the purchase price of the non-complying Product; provided that in no event shall Omron be responsible for warranty, repair, indemnity or any other claims or expenses regarding the Products unless Omron's analysis confirms that the Products were properly handled, stored, installed and maintained and not subject to contamination, abuse, misuse or inappropriate modification. Return of any Products by Buyer must be approved in writing by Omron before shipment. Omron Companies shall not be liable for the suitability or unsuitability or the results from the use of Products in combination with any electrical or electronic components, circuits, system assemblies or any other materials or substances or environments. Any advice, recommendations or information given orally or in writing, are not to be construed as an amendment or addition to the above warranty.

See <http://www.omron.com/global/> or contact your Omron representative for published information.

## **Limitation on Liability; Etc.**

OMRON COMPANIES SHALL NOT BE LIABLE FOR SPECIAL, INDIRECT, INCIDENTAL, OR CONSEQUENTIAL DAMAGES, LOSS OF PROFITS OR PRODUCTION OR COMMERCIAL LOSS IN ANY WAY CONNECTED WITH THE PRODUCTS, WHETHER SUCH CLAIM IS BASED IN CONTRACT, WARRANTY, NEGLIGENCE OR STRICT LIABILITY.

Further, in no event shall liability of Omron Companies exceed the individual price of the Product on which liability is asserted.

## **Suitability of Use.**

Omron Companies shall not be responsible for conformity with any standards, codes or regulations which apply to the combination of the Product in the Buyer's application or use of the Product. At Buyer's request, Omron will provide applicable third party certification documents identifying ratings and limitations of use which apply to the Product. This information by itself is not sufficient for a complete determination of the suitability of the Product in combination with the end product, machine, system, or other application or use. Buyer shall be solely responsible for determining appropriateness of the particular Product with respect to Buyer's application, product or system. Buyer shall take application responsibility in all cases.

NEVER USE THE PRODUCT FOR AN APPLICATION INVOLVING SERIOUS RISK TO LIFE OR PROPERTY OR IN LARGE QUANTITIES WITHOUT ENSURING THAT THE SYSTEM AS A WHOLE HAS BEEN DESIGNED TO ADDRESS THE RISKS, AND THAT THE OMRON PRODUCT(S) IS PROPERLY RATED AND INSTALLED FOR THE INTENDED USE WITHIN THE OVERALL EQUIPMENT OR SYSTEM.

## **Programmable Products.**

Omron Companies shall not be responsible for the user's programming of a programmable Product, or any consequence thereof.

## **Performance Data.**

Data presented in Omron Company websites, catalogs and other materials is provided as a guide for the user in determining suitability and does not constitute a warranty. It may represent the result of Omron's test conditions, and the user must correlate it to actual application requirements. Actual performance is subject to the Omron's Warranty and Limitations of Liability.

## **Change in Specifications.**

Product specifications and accessories may be changed at any time based on improvements and other reasons. It is our practice to change part numbers when published ratings or features are changed, or when significant construction changes are made. However, some specifications of the Product may be changed without any notice. When in doubt, special part numbers may be assigned to fix or establish key specifications for your application. Please consult with your Omron's representative at any time to confirm actual specifications of purchased Product.

## **Errors and Omissions.**

Information presented by Omron Companies has been checked and is believed to be accurate; however, no responsibility is assumed for clerical, typographical or proofreading errors or omissions.

**OMRON Corporation Industrial Automation Company**

Tokyo, JAPAN

Contact: [www.ia.omron.com](http://www.ia.omron.com)

**Regional Headquarters**

**OMRON EUROPE B.V.**

Wegalaan 67-69-2132 JD Hoofddorp  
The Netherlands

Tel: (31)2356-81-300/Fax: (31)2356-81-388

**OMRON ELECTRONICS LLC**

One Commerce Drive Schaumburg,  
IL 60173-5302 U.S.A.

Tel: (1) 847-843-7900/Fax: (1) 847-843-7787

**OMRON ASIA PACIFIC PTE. LTD.**

No. 438A Alexandra Road # 05-05/08 (Lobby 2),  
Alexandra Technopark,  
Singapore 119967

Tel: (65) 6835-3011/Fax: (65) 6835-2711

**OMRON (CHINA) CO., LTD.**

Room 2211, Bank of China Tower,  
200 Yin Cheng Zhong Road,  
PuDong New Area, Shanghai, 200120, China

Tel: (86) 21-5037-2222/Fax: (86) 21-5037-2200

**Authorized Distributor:**

© OMRON Corporation 2013 All Rights Reserved.  
In the interest of product improvement,  
specifications are subject to change without notice.

**Cat. No. A230-E1-01**

Printed in Japan  
0913 (0913)